

VIBCO

VIBRATORS

High Frequency Pneumatic Vibrators

Lug Style Mount

Models SVRL-5500SRLSP & SVRL-6500SRLSP



SVRL-5500SRLSP
SVRL-6500SRLSP

- **HIGH FREQUENCY, HIGH FORCE**
- **NO BEARINGS OR MOTORS**
- **RIGID MOUNTING SYSTEM**
- **FULLY PORTABLE**
- **AIR SAVING DESIGN**

HOW IT WORKS

Compressed lubricated air spins a bearingless rotor around a hardened shaft creating vibration. The air saver design saves air by cycling the air back through the unit before exhausting through the vents out the side of the unit. This design allows for start up every time.

VIBCO's high frequency vibrators can be mounted in many locations when used in conjunction with the LC-1 bracket. Portable, speed and force adjustable by regulating air supply makes these units the most versatile on the market. **ALL AMERICAN MADE, VIBCO** can preform and deliver every time.



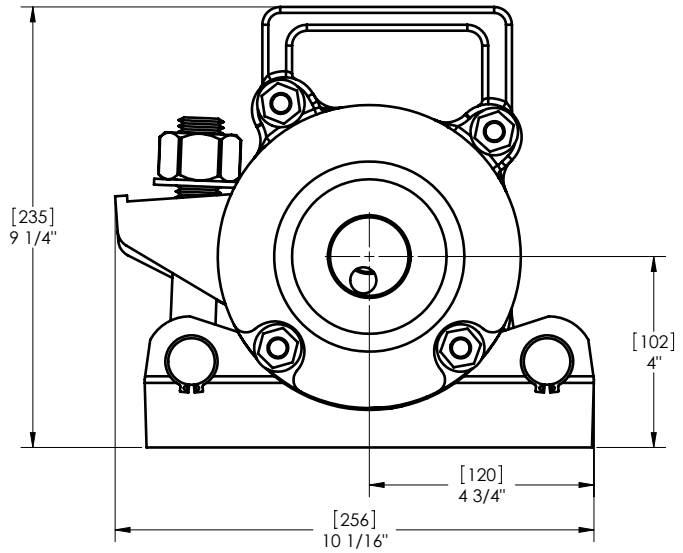
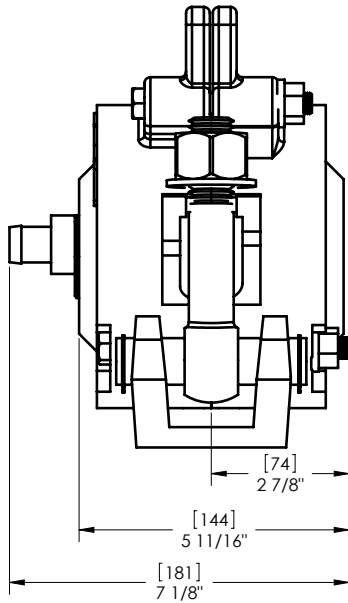
LC-1

Bracket sold separately

800.633.0032 • www.VIBCO.com

VIBCO HIGH FREQUENCY PNEUMATIC

DIMENSIONS



Bracket sold separately

TECHNICAL DATA

Model	Weight		80 PSI (5.5 Bar)		90 PSI (6.2 Bar)				100 PSI (6.9 Bar)		110 PSI (7.6 Bar)		115 PSI (8 Bar)	
	lbs	kg	VPM	Force lbs/N	VPM	Force lbs/N	CFM L/min	dB	CFM L/min	Force lbs/N	VPM	Force lbs/N	VPM	Force lbs/N
SVRL-5500SRLSP	38	17	11,000	4300/19000	12,500	5550/24700	56/1586	99	6900/30700	14,000	15,500	8500/37800	16,000	9050/40300
SVRL-6500SRLSP	39	17.7	9,500	5300/23500	10,500	6500/29000	58/1642	97	7800/34700	11,500	12,300	8900/39600	13,000	9950/44300

VPM = Vibrations Per Minute
L/min = Liters per Minute

lbs = pounds N = Newtons CFM = Cubic Feet per Minute
dB = Decibel measured at 1 meter on A scale

kg = kilograms

VIBCO ^{SILENT} TURBINE VIBRATOR:

TRY OUR SILENT TURBINE VIBRATORS TO REDUCE AIR CONSUMPTION & LOWER NOISE

- Save up to 50% of your air consumption
- Reduce vibration noise well below OSHA limits
- 3 times longer life than a ball vibrator
- Require NO lubrication - pre-lubricated for life
- **Completely size interchangeable** with ball vibrators



ASK FOR OUR SILENT PNEUMATIC TURBINE VIBRATOR BROCHURE

CONTACT VIBCO ABOUT A 10-DAY FREE TRIAL

Available for any **VIBCO** standard unit. With the help of our Application Engineers, we will get you the vibrator that will work best for you. Try it for 10-days at **NO RISK.**



We're The Vibrator Guys™

VIBCO, INC.
75 Stilson Rd., P.O. Box 8
Wyoming, RI 02898
E-Mail: vibrators@VIBCO.com
Phone: (401) 539-2392
FAX: (401) 539-2584

SOUTHEAST
12001 North Dr. Martin
Luther King Dr.
Unit 2703
Saint Petersburg, FL 33716
Phone: (401) 539-2392x145
FAX: (401) 578-9509

CANADA:
2215 Dunwin Drive
Mississauga, Ont. L5L 1X1
Phone: (905) 828-4191
(800) 465-9709
FAX: (905) 828-5015